

# Secura Anchor point

Code N° LDV140

## Description

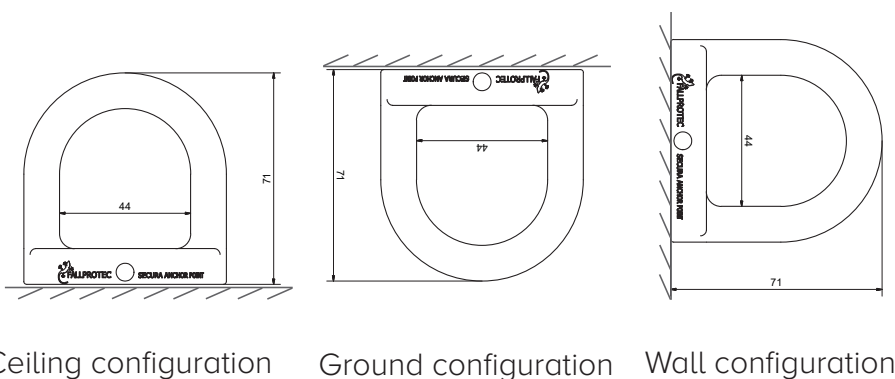
The Secura anchor point is permanently installed on a building or other structure to protect people that are at risk of falling when carrying out maintenance work.

## Advantages

- Anchor point with large opening, makes the connection of big karabiners easier
- Certified for 2 users
- Competitive solution
- Robust stainless steel
- Suitable for suspension works

**KN** 13 KN ~~KN~~ > 25 KN **Ø** 44 mm **KG** 0,44 Kg

## Fall arrest and abseiling



# FALLPROTEC

December 2017



Compliant with EN 795:2012 Type A  
CEN/TS 16415:2013  
MADE IN EU

apave



x 2

## Technical specifications

Material: Stainless steel AISI316

