

Yellow Anchor point

Plaque d'ancrage haute visibilité
Punto de anclaje de alta visibilidad
Gelber Anschlagpunkt

Code N° LDV029

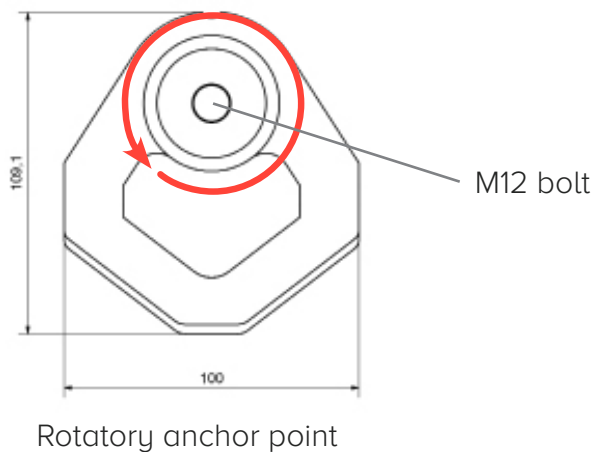
Description

The Yellow Anchor Eye is permanently installed on a building or other structure to maintain people who are at risk of falling when carrying out maintenance work. The anchor is mobile on its axis.

Material

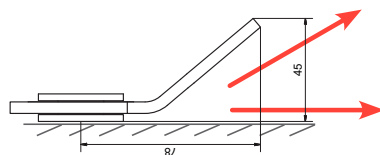
- Folded plate: Stainless steel AISI304
- Spacer: POM (polyoxymethylene)

KN 17 KN ~~KN~~ > 25 KN Ø 13 mm KG 0,28 Kg

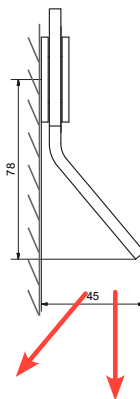


Fall arrest configurations


Not for ceiling



Ground



Wall



For abseiling, contact
Fallprotec



FALLPROTEC

October 2018

Compliant with EN 795:2012
type A
CEN/TS 16415: 2013
MADE IN EU

 apave



x 2



ground and wall
configurations for fall arrest